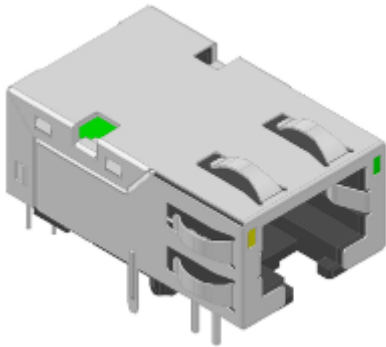


**“LAN-MATE” SERIES :**  
**1x1 5G Base-T PoE+ ICM (Integrated Connector Module)**



**Features**



- Complying with requirement of IEEE 802.3bz standards.
- RJ-45 connector integrated with transformer/impedance resistor/high voltage capacitor.
- POE applications with 720mA @57VDC current capability.
- Size same as RJ-45 connector to save PCB board space.
- Reduced EMI radiation to improve EMI performance.
- Complying with ROHS requirements.
- Operating temperature range: -40°C to +85°C.
- Storage temperature range: -40°C to +85°C.

LED	Forward*V(Max)	(TYP)
GREEN	2.4V	2.2V
YELLOW	2.5V	2.1V

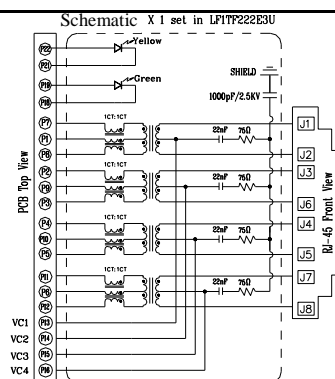
\*With a forward current of 20mA

Electrical Specifications @ 25°C						
Part Number	Turns Ratio (±2%)	OCL (uH Min) @100KHz/0.1V	GMR (dB Min)			HI-POT
			1-40MHz	40-100MHz	100-250MHz	
LF1TF222E3U	1CT: 1CT	160	-30	-28	-26	DC2250V/1mA

Continued				
Part Number	Insertion Loss (dB Max)			DCMR (dB Min)
	1-50MHz	50-125MHz	125-250MHz	
LF1TF222E3U	-0.5	-1.2	-2	-30

Continued					
Part Number	Return Loss (dB Min) @ Load 100Ω		Cross talk (dB Min)		
	1-40MHz	40 < f ≤ 250 MHz	1-40MHz	40-125MHz	125-250MHz
LF1TF222E3U	-16	-16+10LOG10(F/40MHz)	-35	-35+LOG10(F/40MHz)	-24

**Schematic**

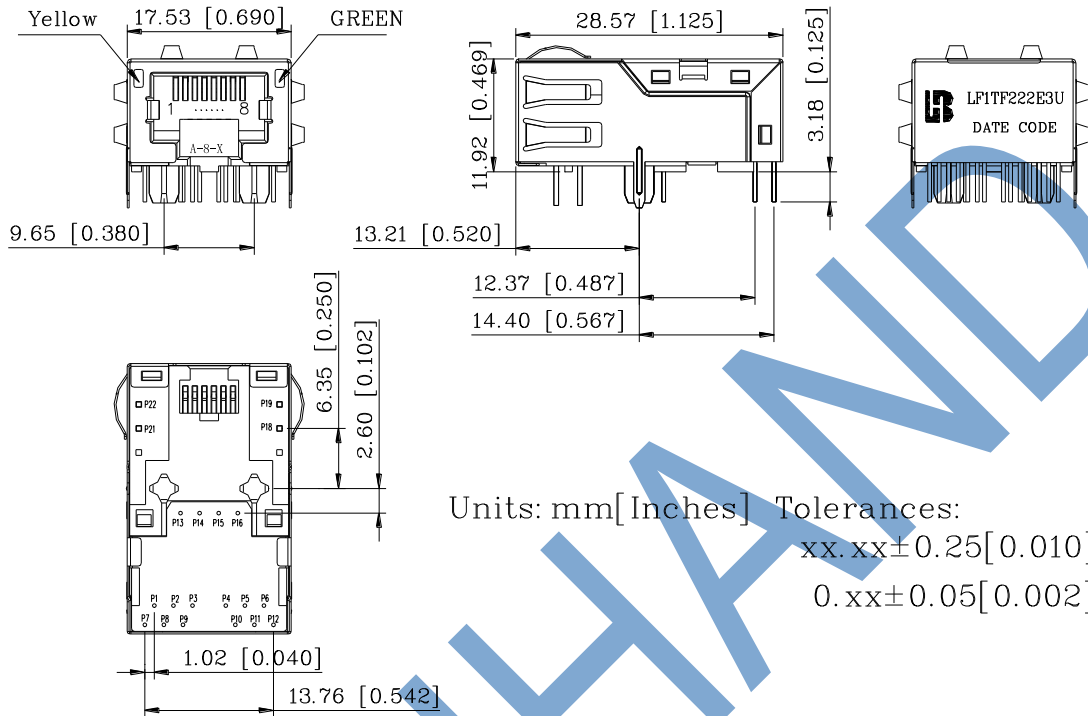


<https://www.bothhandww.com>

**“LAN-MATE” SERIES :**  
**1x1 5G Base-T PoE+ ICM (Integrated**  
**Connector Module)**



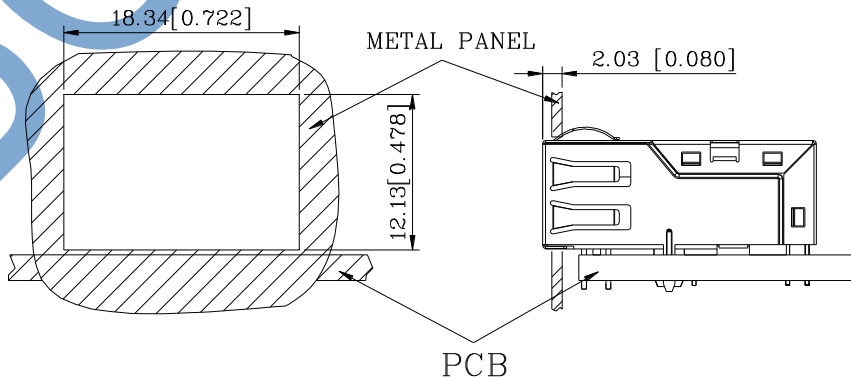
**Mechanical**



Units: mm[Inches] Tolerances:  
 xx.xx±0.25[0.010]  
 0.xx±0.05[0.002]

- 1. Plastic Material : Thermoplastic (UL 94V-0), Black Housing
- 2. Metal Shield : Brass, 20u" inches thick Nickel
- 3. Spring Wire : Phosphor bronze with gold plated & Nickel
- 4. Solder Pin : Dia 0.40mm, Copper Alloy with solder Plated
- 5. Durability : 750 Mating cycles Min.

**Suggested Panel Opening**

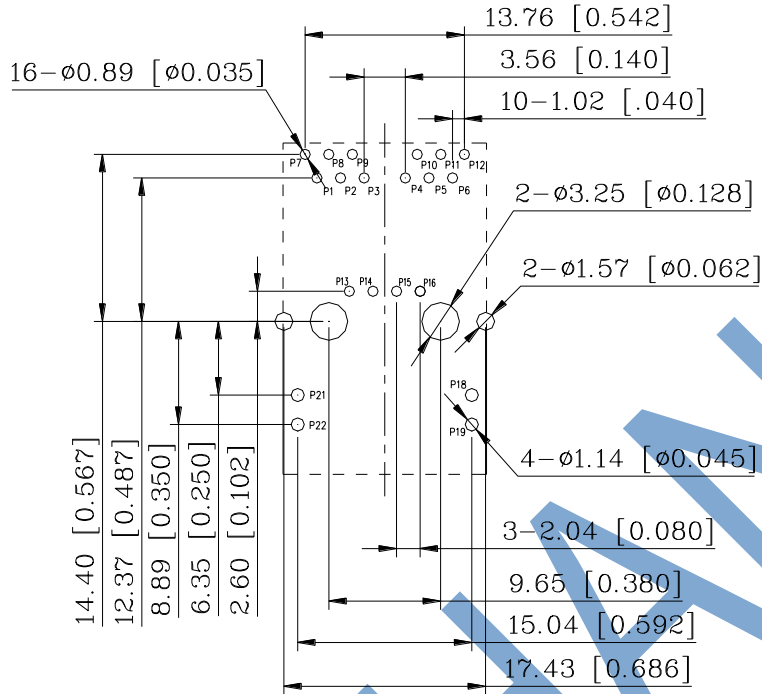


<https://www.bothhandww.com>

**“LAN-MATE” SERIES :**  
**1x1 5G Base-T PoE+ ICM (Integrated**  
**Connector Module)**



**PCB Layout Mounting Hole(Top View)**



Unless otherwise specified,  
 all dimension tolerance are:  $\pm 0.08$  [ $\pm 0.003$ ]