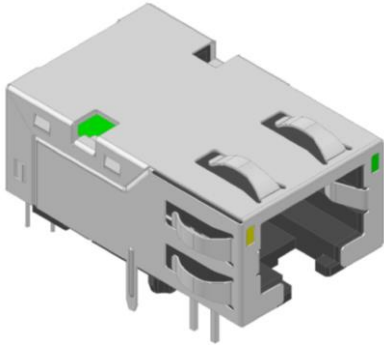


“LAN-MATE” SERIES :
1x1 10G Base-T ICM (Integrated Connector Module)



Features



- Complying with requirement of IEEE 802.3an standards.
- RJ-45 connector integrated with transformer/impedance resistor/high voltage capacitor.
- Size same as RJ-45 connector to save PCB board space.
- Reduced EMI radiation to improve EMI performance.
- Complying with ROHS requirements.
- Operating temperature range: -40°C to +85°C.
- Storage temperature range: -40°C to +85°C.

LED	Forward*V(Max)	(TYP)
GREEN	2.4V	2.2V
YELLOW	2.5V	2.1V

*With a forward current of 20mA

Electrical Specifications @ 25°C

Part Number	Turns Ratio (±2%)	OCL (uH Min) @100KHz/0.1V	Cross talk (dB Min)		CDMR (dB Min)		HI-POT
			1-100MHz	100-500MHz	1-250MHz	250-500MHz	
LT1TF222E3M	1CT: 1CT	160	-28	-19	-30	-22	DC2250V/1mA

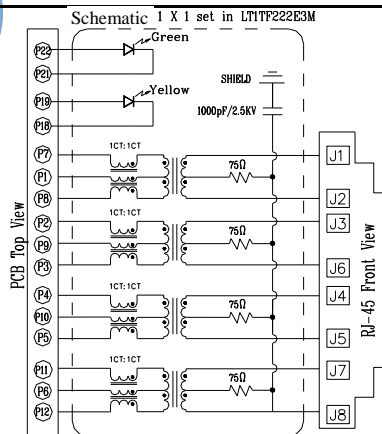
Continued

Part Number	Insertion Loss (dB Max)					DCMR (dB Min)	
	1-20MHz	20-50MHz	50-200MHz	200-400MHz	400-500MHz	1-30MHz	30 < f ≦ 500 MHz
LT1TF222E3M	-0.8	-1.0	-1.2	-2.0	-3.0	-48	-44+19.2LOG(F/50MHz)

Continued

Part Number	Return Loss (dB Min) @ Load 100Ω			CMR (dB Min)		
	1-40MHz	40 < f ≦ 400 MHz	400 < f ≦ 500 MHz	1-40MHz	40-100MHz	100-500MHz
LT1TF222E3M	-16	-16+10LOG(F/40MHz)	-6+30LOG(F/400MHz)	-30	-28	-26

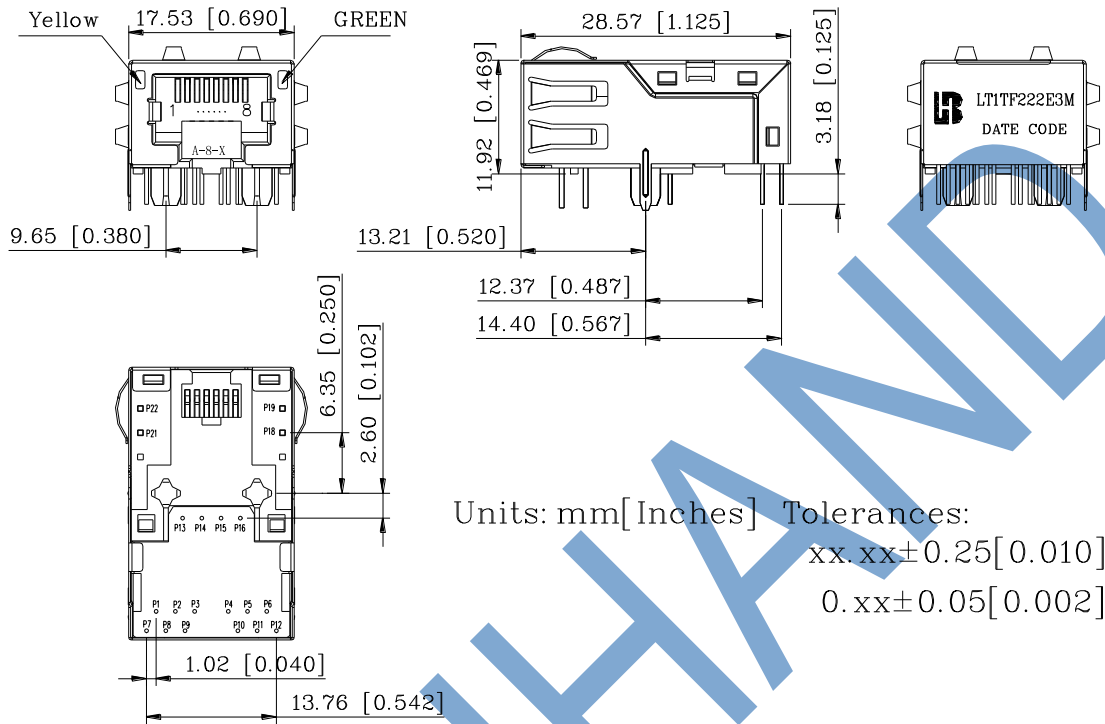
Schematic



“LAN-MATE” SERIES :
1x1 10G Base-T ICM (Integrated
Connector Module)



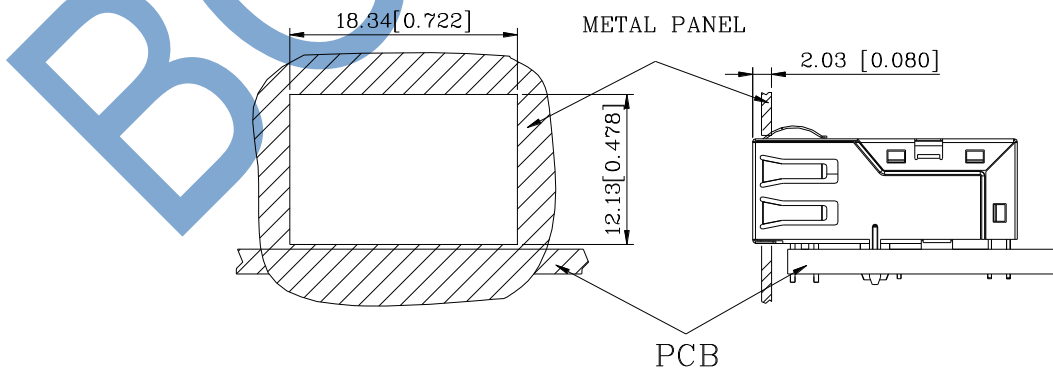
Mechanical



Units: mm [Inches] Tolerances:
 xx.xx±0.25 [0.010]
 0.xx±0.05 [0.002]

- 1. Plastic Material : Thermoplastic (UL 94V-0), Black Housing
- 2. Metal Shield : Brass, 20u" inches thick Nickel
- 3. Spring Wire : Phosphor bronze with gold plated & Nickel
- 4. Solder Pin : Dia 0.40mm, Copper Alloy with solder Plated
- 5. Durability : 750 Mating cycles Min.

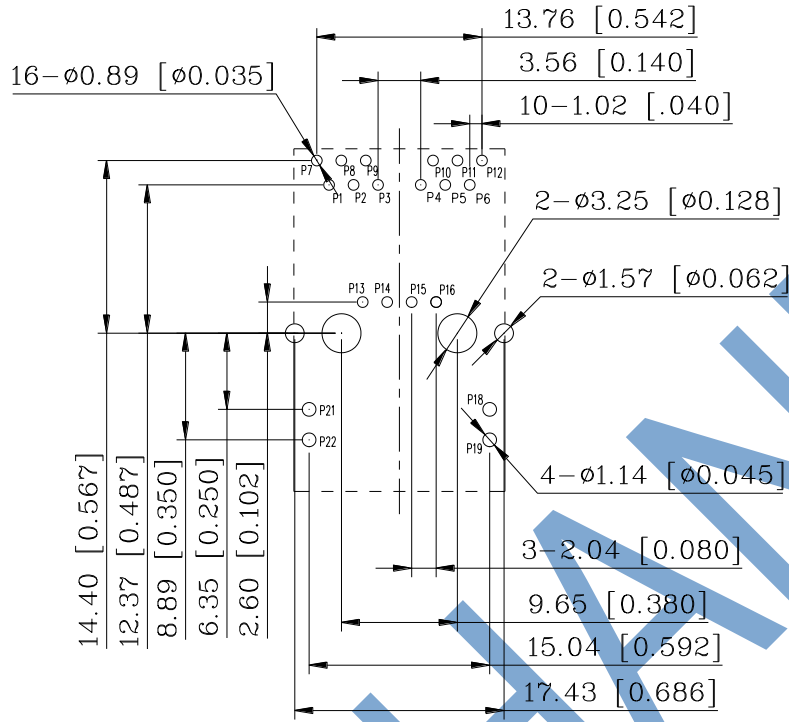
Suggested Panel Opening



“LAN-MATE” SERIES :
1x1 10G Base-T ICM (Integrated
Connector Module)



PCB Layout Mounting Hole(Top View)



Unless otherwise specified,
all dimension tolerance are: $\pm 0.08[\pm 0.003]$