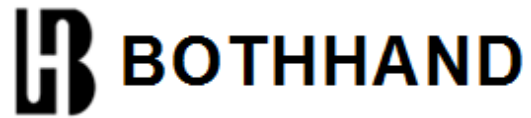
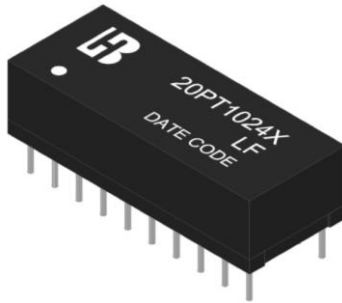


20PT1024X LF
DIP 10/100 BASE-T Dual Port Discrete
LAN Magnetics Applied to MDIX



Feature



- Complying with IEEE 802.3u and ANSI X3.263 standards including 350uH OCL with 8mA DC Bias.
- Symmetrical TX and RX channels for Auto MDI/MDIX capability.
- Complying with ROHS requirements.
- Operating temperature range : 0°C to +70°C.
- Storage temperature range: -25°C to +85°C.

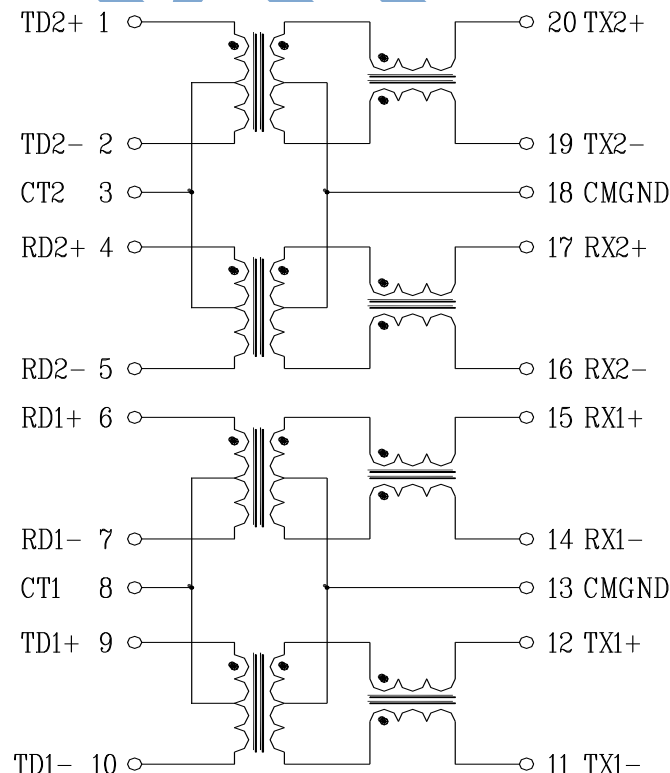
Electrical Specifications @ 25°C

Part Number	Turns Ratio (±5%)		OCL (μH Min) @100KHz/0.1Vrms with 8mA DC/Bias	L.L (uH Max)	C _{www} (pF Max)	DCR (Ω Max)	HI-POT
	TX	RX				PRI	
20PT1024X LF	1CT:1CT	1CT:1CT	350	0.5	56	0.9	AC1500V/1mA/1S

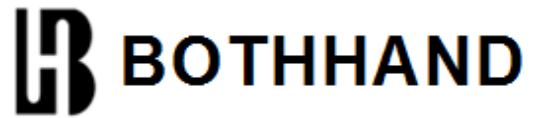
Continue

Part Number	Insertion Loss (dB Max)	Return Loss (dB Min)			Cross talk (dB Min)	DCMR (dB Min)
		0.3-30MHz	30-60MHz	60-80MHz		
20PT1024X LF	-1.1	-18	-14	-12	-35	-30

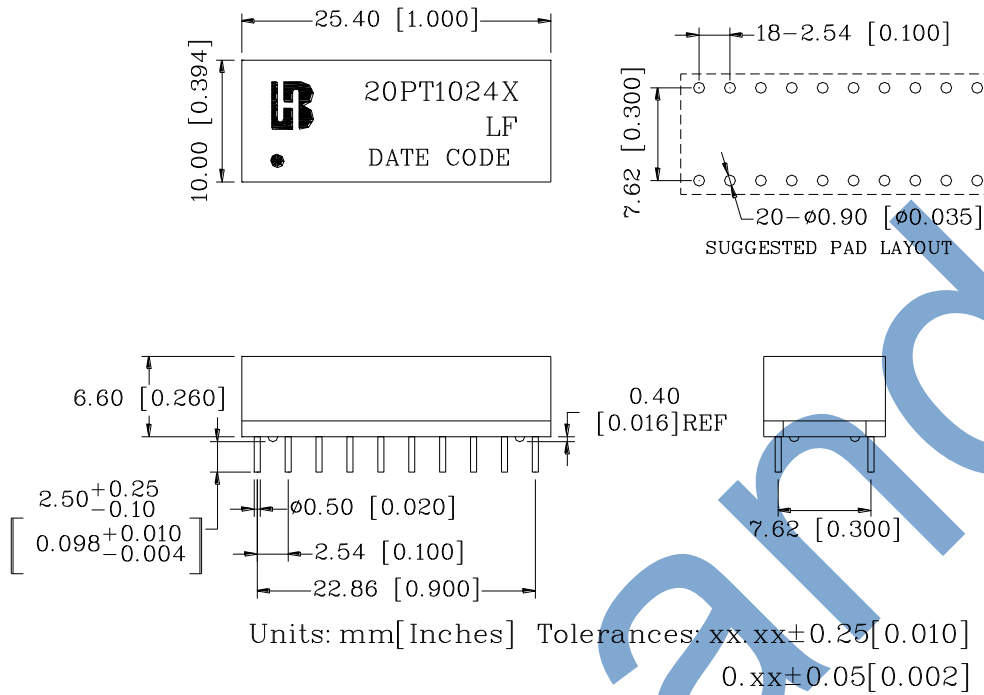
Schematic



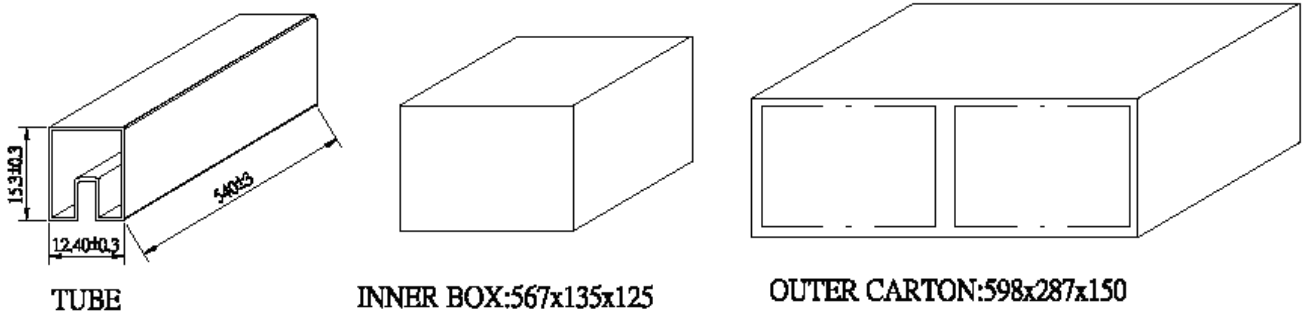
20PT1024X LF
DIP 10/100 BASE-T Dual Port Discrete
LAN Magnetics Applied to MDIX



Mechanical



TUBE PACKAGE



- 1. TUBE=20 PCS
- 2. INNER BOX=90 TUBE=90x20=1800PCS
- 3. OUTER CARTON=2 INNER CARTON=2x1800=3600 PCS